

**CURB CONSTRUCTION**  
 1) WELDED  
 2) FINGERLOCK  
 -ALL WELDING CONSTRUCTION CERTIFIED TO ANSI/AWS D1.3 STRUCTURAL WELDING CODE-SHEET METAL  
 -SELF-DRILLING SCREW SHALL MEET ASTM C1513 SPECIFICATION AND INSTALLED PER AISI-S100  
 -NO GAP IS ALLOWED BETWEEN TWO METAL SHEET SURFACES WHERE SHEET METAL SCREW IS CONNECTED

ALL WORK SHALL CONFORM TO THE STANDARD OF 2015 INTERNATIONAL BUILDING CODE & 2016 CALIFORNIA BUILDING CODE.

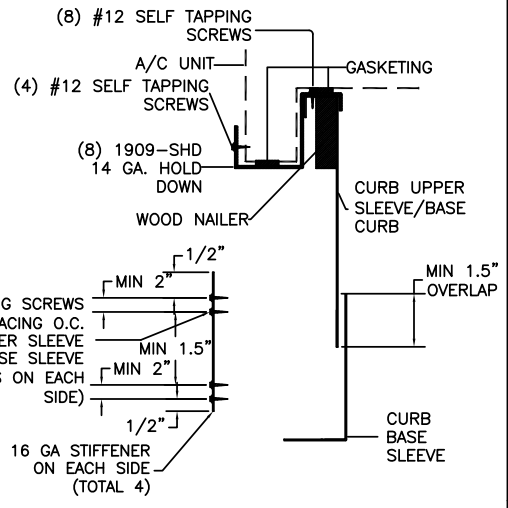
**SEISMIC DESIGN CRITERIA**  
 -SDS = 1.5      ap = 2.5  
 -I = 1.5      Rp = 6.0

**WIND DESIGN CRITERIA**  
 -MAX 60 FT TALL BUILDING  
 -EXPOSURE C  
 -130 MPH, 3 SECOND GUST WIND

**NOTE:**  
 INSTALLER TO VERIFY WITH A LICENSED STRUCTURAL ENGINEER IN THE CORRESPONDING STATE THE ADEQUACY OF THE STRUCTURE FOR LOADS IMPOSED BY THE UNIT AND THE CURB IN ADDITION TO ALL OTHER LOADS.  
 -INSTALLER TO VERIFY WITH A LICENSED STRUCTURAL ENGINEER IN THE CORRESPONDING STATE THAT THE SEISMIC AND WIND DESIGN CRITERIA NOTED ON THIS DRAWING ARE ADEQUATE FOR THE SITE SPECIFIC VALUES. OTHERWISE, CONTACT CANNON FABRICATION FOR A SITE SPECIFIC ANALYSIS AND DRAWINGS.

**CURB AND UNIT INFORMATION**  
 16 GAUGE GALVANIZED STEEL CURB  
 1005-CB11\*-CBCG    11"    173 LBS.  
 1005-CB14\*-CBCG    14"    206 LBS.

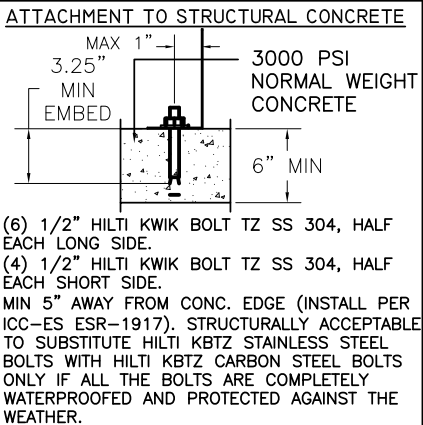
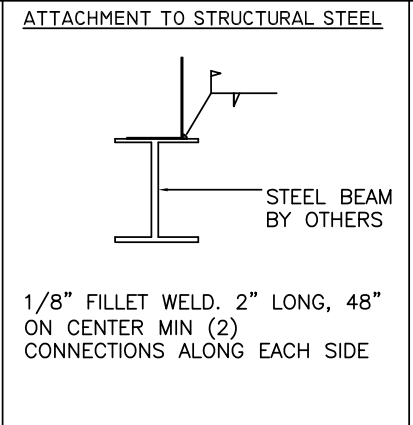
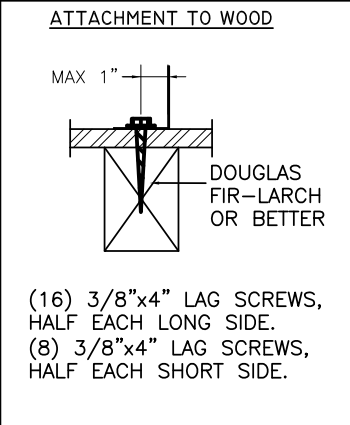
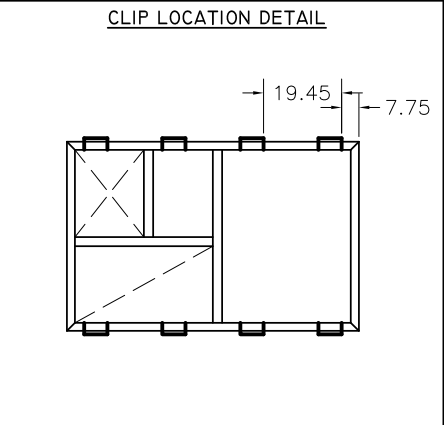
MAX UNIT OPERATING WEIGHT 900 LBS  
 CGX FROM CORNER = 34.13" PARALLEL TO LENGTH  
 CGY FROM CORNER = 21.63" PARALLEL TO WIDTH  
 CGH FROM BOTTOM OF UNIT = 20.25"



PROVIDE FIRST SPLICE CONNECTION AT MAX 6" FROM EDGE OF THE CURB

PROVIDE FIRST CONNECTION TO STRUCTURE AT MAX 6" FROM EDGE OF THE CURB. SEE DETAILS BELOW

**ANCHORAGE DETAILS TO ROOF:**



**STRUCTURAL REVIEW BY:**

**MARTIN & associates**

JOHN A. MARTIN AND ASSOCIATES  
 Structural Engineers  
 950 South Grand Ave., 4th Floor  
 Los Angeles, California 90015  
 Phone (213) 483 6490  
 Fax (213) 483 3084  
 Job No.: 13001

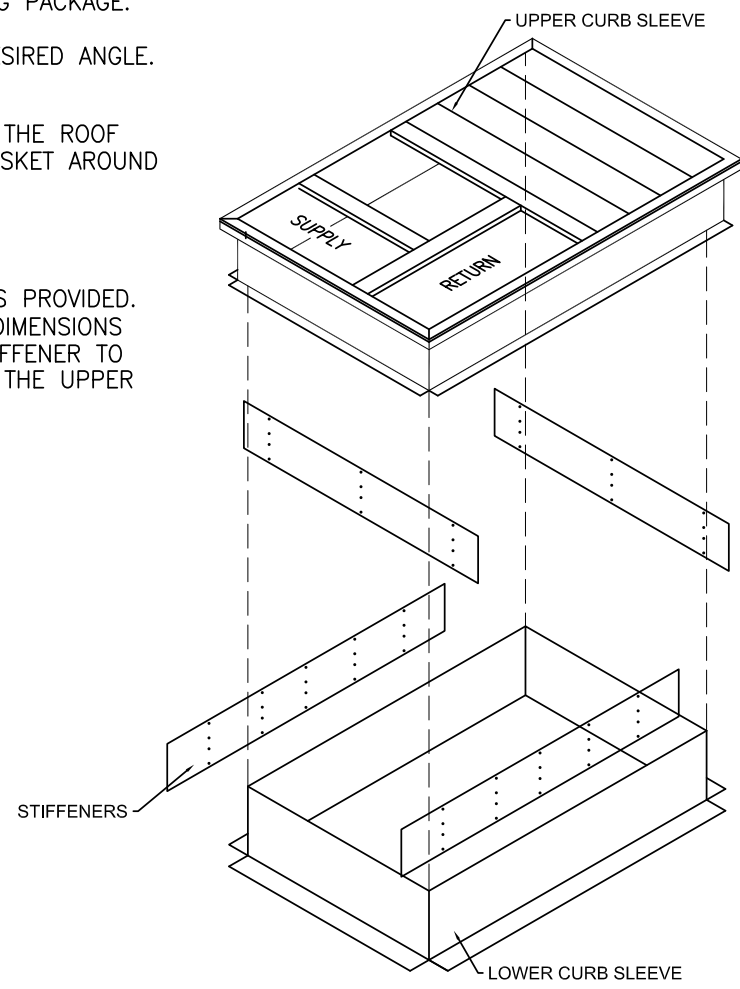
**CanFab**  
 CANNON FABRICATION INC

182 GRANITE STREET, SUITE 101, CORONA, CA 92879  
 PHONE: (951)278-1830 FAX: (951)278-8444 www.canfab.com canfab@canfab.com

FOR: CARRIER	
PART NO: 1005-CB***-CBCG	PROJECT:
ENGINEER: LD	DISTRIBUTOR:
DRAWING NO: 1005CA.DWG	DATE: 7.30.18
APPROVED BY:	DATE: / /

WELDED ROOF CURB ASSEMBLY

- (A) REMOVE CONTENTS (WELDED UPPER CURB, WELDED LOWER CURB SLEEVE, 2-STIFFENERS, SCREW PACKAGE & GASKETING) FROM SHIPPING PACKAGE. SLIDE ROOF CURB OVER BASE SLEEVE. ADJUST THE PITCH OF THE ROOF CURB TO DESIRED ANGLE.
- (B) INSTALL GASKET AROUND THE TOP FLANGE OF THE ROOF CURB. YOU WILL NEED TO DOUBLE UP THE GASKET AROUND THE SUPPLY AND RETURN OPENINGS.
- (C) USING THE SCREWS AND PRE-PUNCHED HOLES PROVIDED. INSTALL THE STIFFENERS ACCORDING TO THE DIMENSIONS ON THE SUBMITTAL. BE SURE TO POSITION STIFFENER TO ALLOW A MINIMUM OVERLAP OF 1.5" BETWEEN THE UPPER AND LOWER CURB SLEEVES.



1005-CB11W/14W-CBCG	
PART NUMBER	QTY
1005-CB**W-CBCG-01A	2
1005-CB**W-CBCG-01B	2
1005-CB**W-CBCG-02A	2
1005-CB**W-CBCG-02B	2
1005-CB**W-CBCG-03A	1
1005-CB**W-CBCG-03B	1
1005-CB**W-CBCG-03C	1
1005-CB**W-CBCG-04	4
1005-CB**W-CBCG-05A	2
1005-CB**W-CBCG-05B	2
1312-WOOD	67.375" (SIDE)
1312-WOOD	37.1875" (END)
ASN10018GS	4
14135GASKET	1 ROLL
1034TEK	85



182 GRANITE STREET, SUITE 101, CORONA, CA 92879  
 PHONE: (951)278-1830 FAX: (951)278-8444 www.canfab.com canfab@canfab.com

FOR: CARRIER ADJUSTABLE PITCH CURB  
 FIELD INSTALLATION INSTRUCTIONS

PART NO: 1005-CB**W-CBCG	PROJECT:
ENGINEER: LD	DISTRIBUTOR:
DRAWING NO: 1005CA.DWG	DATE: 8.20.18
APPROVED BY:	DATE: / /



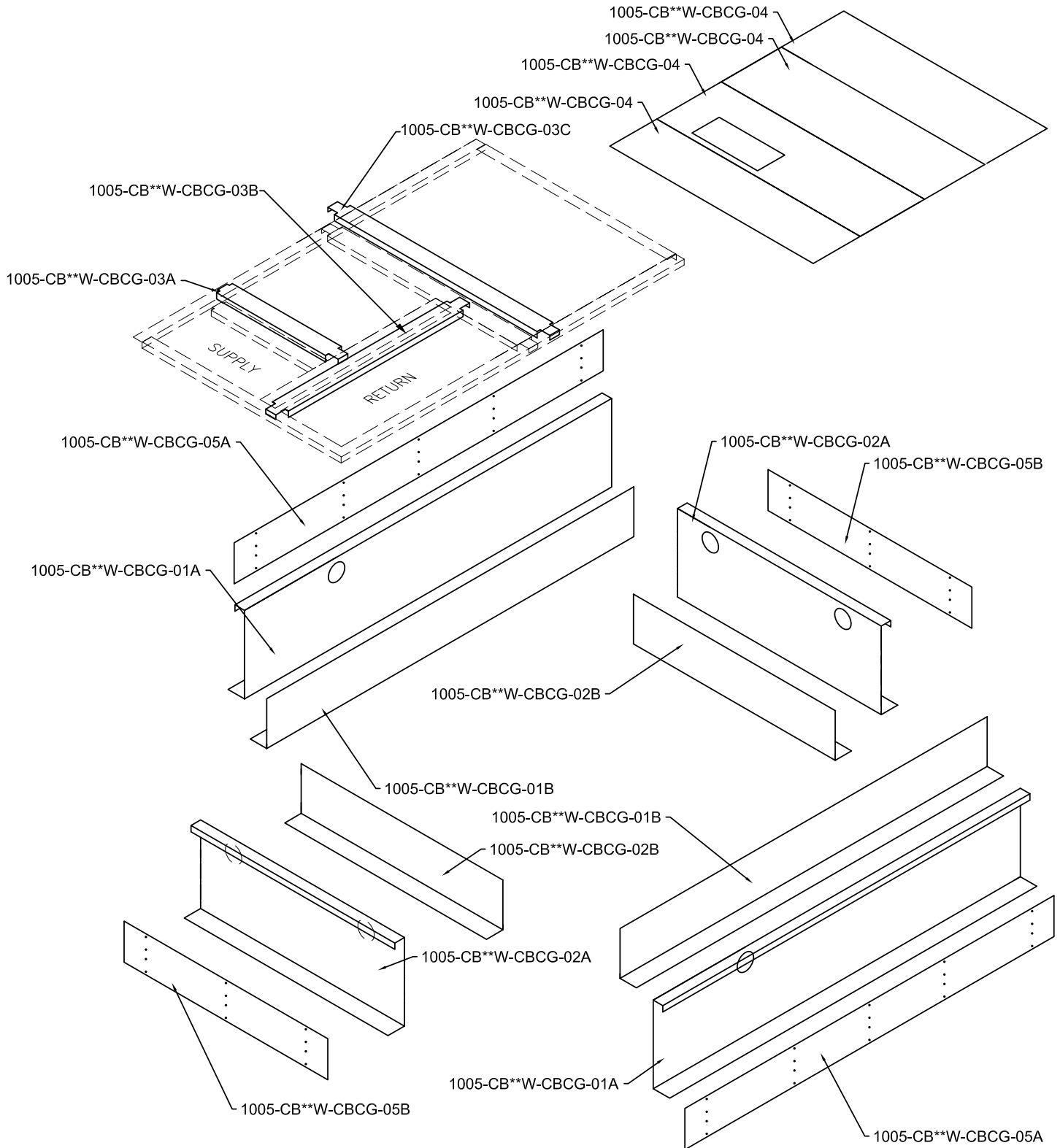
CANNON FABRICATION INC

182 GRANITE STREET, SUITE 101, CORONA, CA 92879

PHONE: (951)278-1830 FAX: (951)278-8444 www.canfab.com canfab@canfab.com

FOR: 1005-CB\*\*W-CBCG  
EXPLODED VIEW

PART NO: 1005-CB\*\*W-CBCG



PROJECT:

DATE: 8.20.18

ENGINEER: LD

DISTRIBUTOR:

DRAWING NUMBER: 1005CA.DWG



CANNON FABRICATION INC

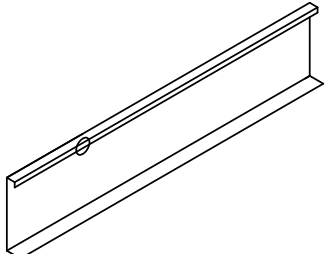
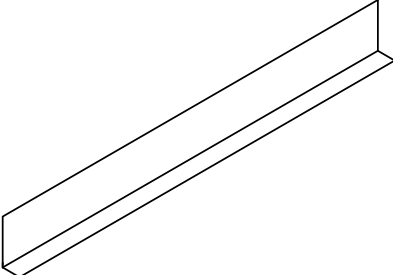
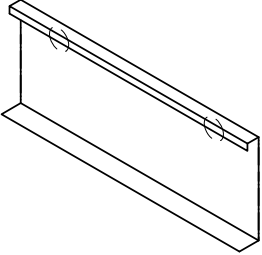
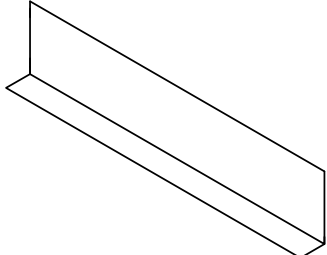
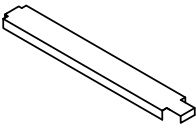
182 GRANITE STREET, SUITE 101, CORONA, CA 92879

PHONE: (951)278-1830 FAX: (951)278-8444 www.canfab.com canfab@canfab.com

FOR: 1005-CB\*\*W-CBCG  
PARTS LIST

PART NO: 1005-CB\*\*W-CBCG

# 1005-CB\*\*W-CBCG-PARTS LIST

PART #	QTY	
1005-CB**W-CBCG-01A	2	
1005-CB**W-CBCG-01B	2	
1005-CB**W-CBCG-02A	2	
1005-CB**W-CBCG-02B	2	
1005-CB**W-CBCG-03A	1	

PROJECT:

DATE: 8.20.18

ENGINEER: LD

DISTRIBUTOR:

DRAWING NUMBER: 1005CA.DWG



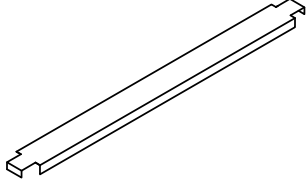
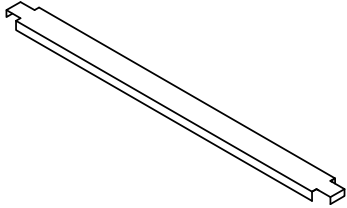
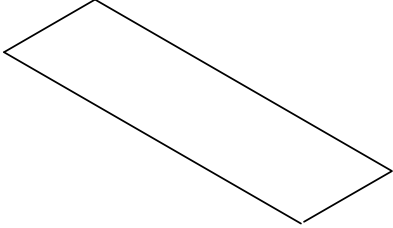
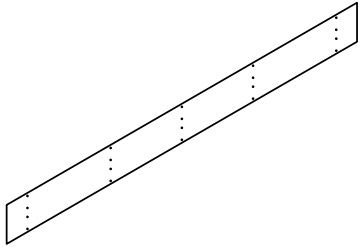
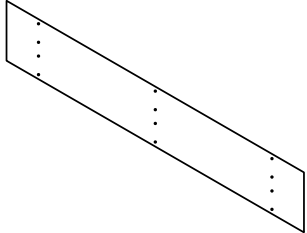
182 GRANITE STREET, SUITE 101, CORONA, CA 92879

PHONE: (951)278-1830 FAX: (951)278-8444 www.canfab.com canfab@canfab.com

FOR: 1005-CB\*\*W-CBCG  
PARTS LIST

PART NO: 1005-CB\*\*W-CBCG

## 1005-CB\*\*W-CBCG-PARTS LIST

PART #	QTY	
1005-CB**W-CBCG-03B	1	
1005-CB**W-CBCG-03C	1	
1005-CB**W-CBCG-04	2	
1005-CB**W-CBCG-05A	2	
1005-CB**W-CBCG-05B	2	

PROJECT:

DATE: 8.20.18

ENGINEER: LD

DISTRIBUTOR:

DRAWING NUMBER: 1005CA.DWG